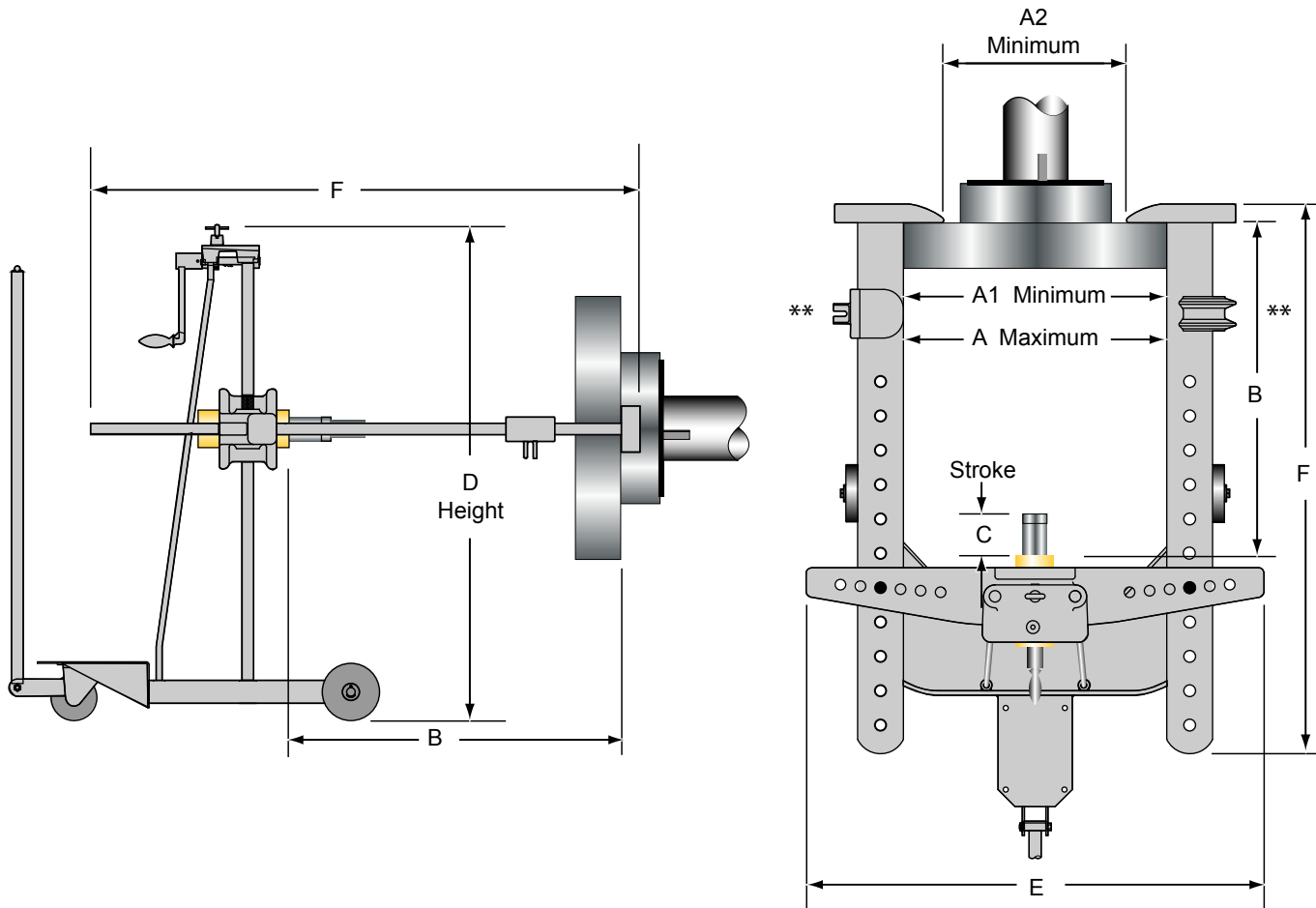


INDUSTRIAL PULLEY PULLER



** Quicklink chains are removed for illustration purposes.

	Max. Pulley Diameter	Minimum Pulley Diameter	Minimum tip to tip	Max. Arm Reach	Cylinder Stroke	Height	Width	Arm Length	Shipping Weight
Pulley Puller Models	A	A1	A2	B	C	D	E	F	---
8 Ton	22" (559mm)	8" (203mm)	4.5" (114mm)	21" (534mm)	5.5" (140mm)	40" (1016mm)	27" (686mm)	36" (915mm)	140lbs.(64 kg)
20 Ton	30" (762mm)	12.5" (318mm)	5.5" (140mm)	40" (1016mm)	5.0" (127mm)	42" (1067mm)	40" (1016mm)	48" (1220mm)	460lbs.(209 kg)
60 Ton	35" (889mm)	11" (279mm)	3" (76mm)	45" (1143mm)	6.0" (153mm)	48" (1220mm)	60" (1524mm)	60" (1524mm)	820lbs.(372 kg)
100 Ton	41" (1042mm)	13" (330mm)	5" (127mm)	43" (1093mm)	7.1" (180mm)	48" (1220mm)	60" (1524mm)	60" (1524mm)	1060lbs.(481 kg)