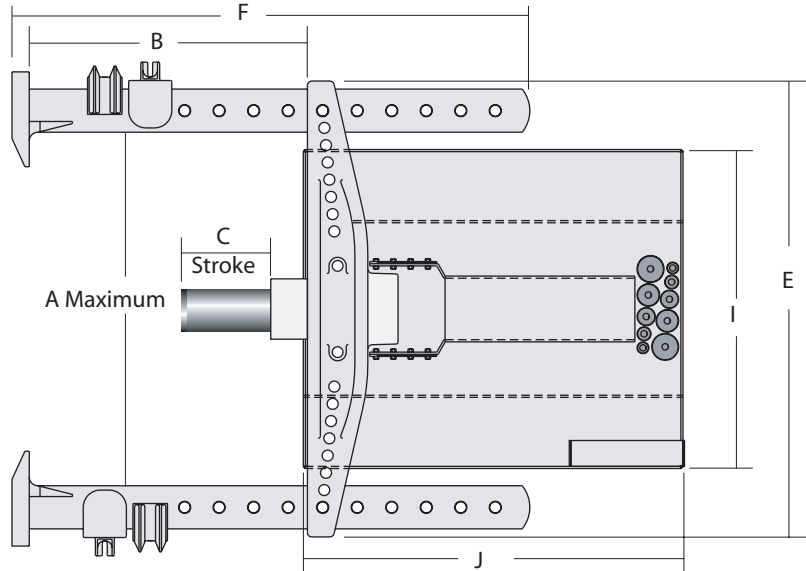
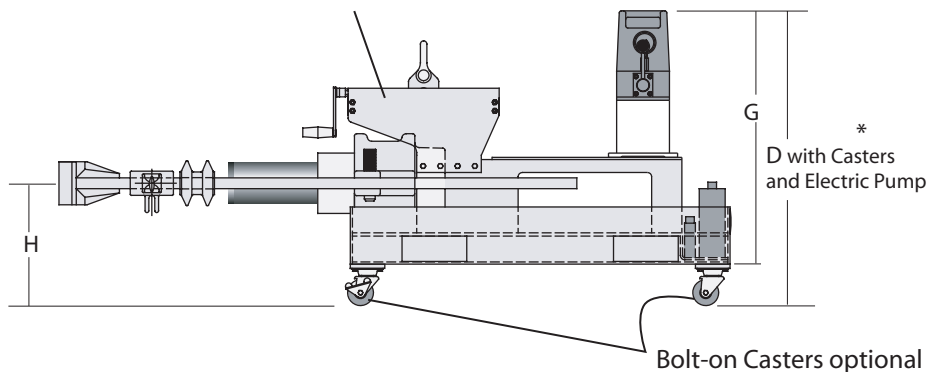


INDUSTRIAL PULLEY PULLER

Low-Profile Puller Specifications



Hoist Leveler attachment optional



	20-ton	60-ton	100-ton
A	30" (762mm)	35" (889mm)	41" (1042mm)
B	40" (1016mm)	45" (1143mm)	43" (1093mm)
C	5.0" (127mm)	6.0" (153mm)	7.1" (181mm)
D	35" (889mm)	35" (889mm)	35" (889mm)
E	40" (1016mm)	47" (1194mm)	53" (1347mm)
F	48" (1220mm)	60" (1524mm)	60" (1524mm)
G	30" (762mm)	30" (762mm)	30" (762mm)
H	15" (381mm)	15" (381mm)	15" (381mm)
I	37" (940mm)	37" (940mm)	37" (940mm)
J	44" (1118mm)	44" (1118mm)	44" (1118mm)
Total Weight	871 lbs. (395 kg)	1,127 lbs. (511 kg)	1,335 lbs. (605 kg)

* Dimension with Electric Pump and Casters option.