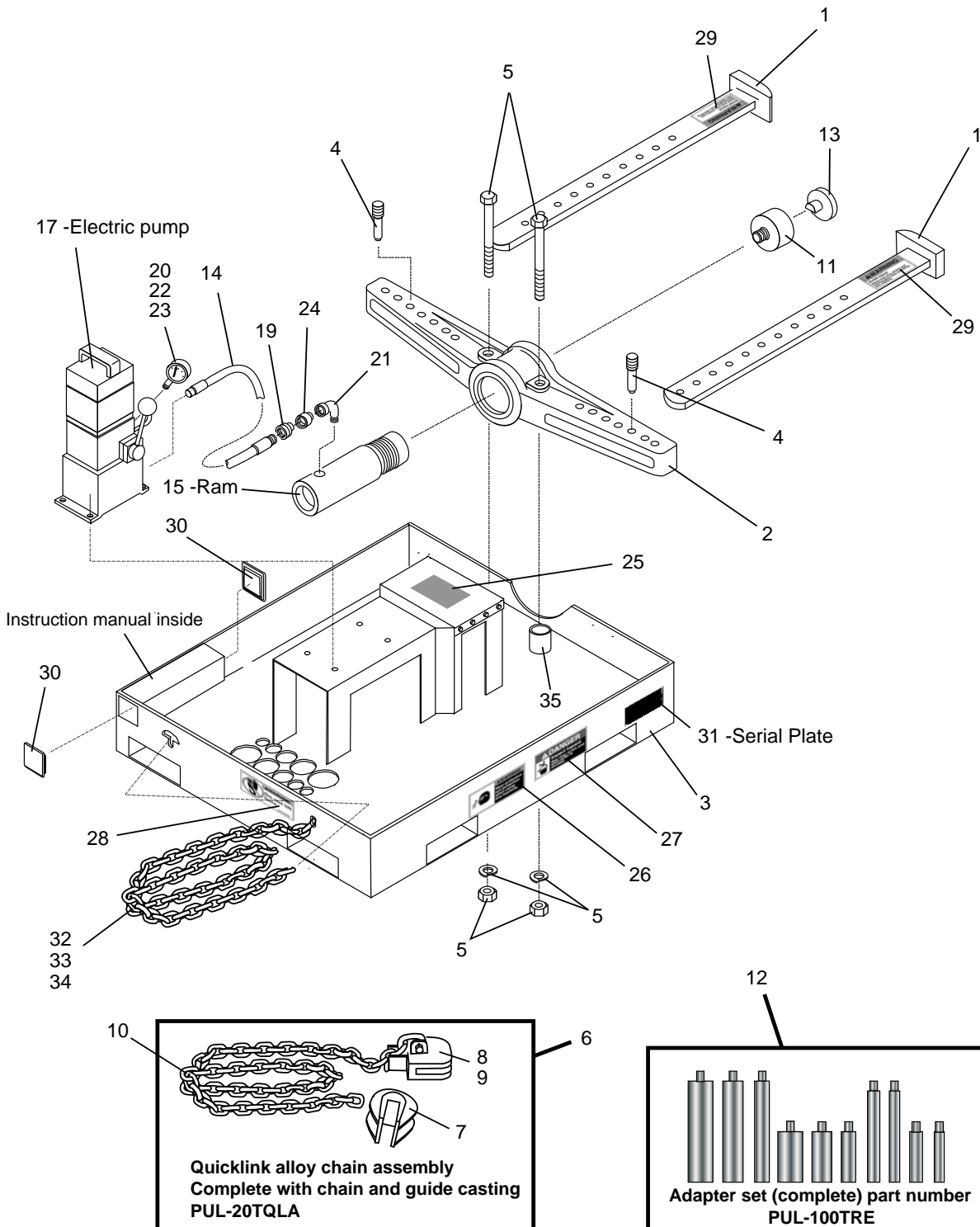


INDUSTRIAL PULLEY PULLER

3575 Third Ave. P.O. Box 626, Marion, IA 52302, 319-447-2245, Fax: 319-377-1204

20-ton "Low-Profile" Industrial Pulley Puller Parts

Complete part number P UL-20 TON-LPE (Electric)



INDUSTRIAL PULLEY PULLER

3575 Third Ave. P.O. Box 626, Marion, IA 52302, 319-447-2245, Fax: 319-377-1204

20-ton "Low-Profile" Industrial Pulley Puller Parts

Complete part number PUL-20 TON-LPE (Electric)

Ref. No.	Part Number	Description	Quantity
	PUL-20 TON-LPE (COMPLETE)	20-TON LOW-PROFILE PULLER COMPLETE WITH ELECTRIC PUMP, 1 QUICKLINK CHAIN ASSEMBLY AND SET OF RAM ADAPTERS	
1	PUL-20TA	20-TON PULLER ARM ASSEMBLY (single arm)	2
2	PUL-20TB	20-TON PULLER BEAM	1
3	PUL-LP-BASE	PLATFORM BASE	1
4	PUL-20 TON PIN	BEAM PIN 20-TON	2
5	[Hex Bolt, 1" NC x 9 " Long Grade #5	2
		Lockwasher, 1"	2
		Hexnut, 1" NC	2
6	PUL-20TQLA	QUICKLINK CHAIN ASSEMBLY (WITH CHAIN AND GUIDE CASTING)	1
7	PUL-20TQ-2-CA	GUIDE CASTING (ONLY); 20 TON	1
8	PUL-20TQ-1	CHAIN CASTING (ONLY); 60/100 TON	1
9	PUL-20TQ-BOLT	1/2"-13 X 4" SET SCREW	2
10	PUL-20TQLC	CHAIN (ONLY)	1
11	PUL-20TR-C	20 TON RAM ADAPTER ASSEMBLY	1
12	PUL-100 TRE	100 TON RAM EXTENSION SET (Includes 10 adapters)	1
13	PUL-20/60TRP	RAM PLUG; 20 TON	1
14	PUL-HH-33	HYDRAULIC HOSE	1
15	PUL-20TR-3	RAM; 20 TON (CSR2011)	1
16	*** PUL-20TR-KIT-3	REPAIR KIT; #80809 (CSR2011) (For Ram)	
17	PUL-20TR-IEL	ELECTRIC PUMP 3-WAY (HUP-180-3RC)	1
18	*** PUL-20TR-KIT-2	REPAIR KIT; #X308-SK (For Pump)	
19	PUL-20TR-5	COUPLER-HOSE HALF; HA-17	1
20	PUL-100TR-6	10,000 PSI PRESSURE GAUGE (HA-90) ELECTRIC (ONLY)	1
21	PUL-100TR-ELBOW	3/8"-3000#; STREET ELBOW	1
22	*** PUL-HA-119	STREET ELBOW (NOT SHOWN) (On Gauge)	1
23	*** PUL-HA-120	PIPE REDUCER (NOT SHOWN) (On Gauge)	1
24	PUL-20TR-4	RAM COUPLER (HA-18)	2
25	35-0030	DECAL, READ MANUAL	2
26	35-0032	DECAL, WEAR EYE PROTECTION	2
27	35-0036	DECAL, IMPACT HAZARD	2
28	35-0040	DECAL, DO NOT LIFT HERE	2
29	35-0034	DECAL, STAND CLEAR	4
30	PUL-LP-B18	PLUG, RUBBER	2
31	PUL-TAG	SERIAL PLATE	1
32	PUL-8TQLC	CHAIN, SUPPORT	2
33	67-1200	HHCS, 1/2"-13 X 1-1/4"	2
34	69-0460	Locknut, 1/2"-13	2
35	PUL-TC-3RET	Spacer, Pipe 1-1/2" OD, 1-1/8" ID x 3-5/8" Long	2

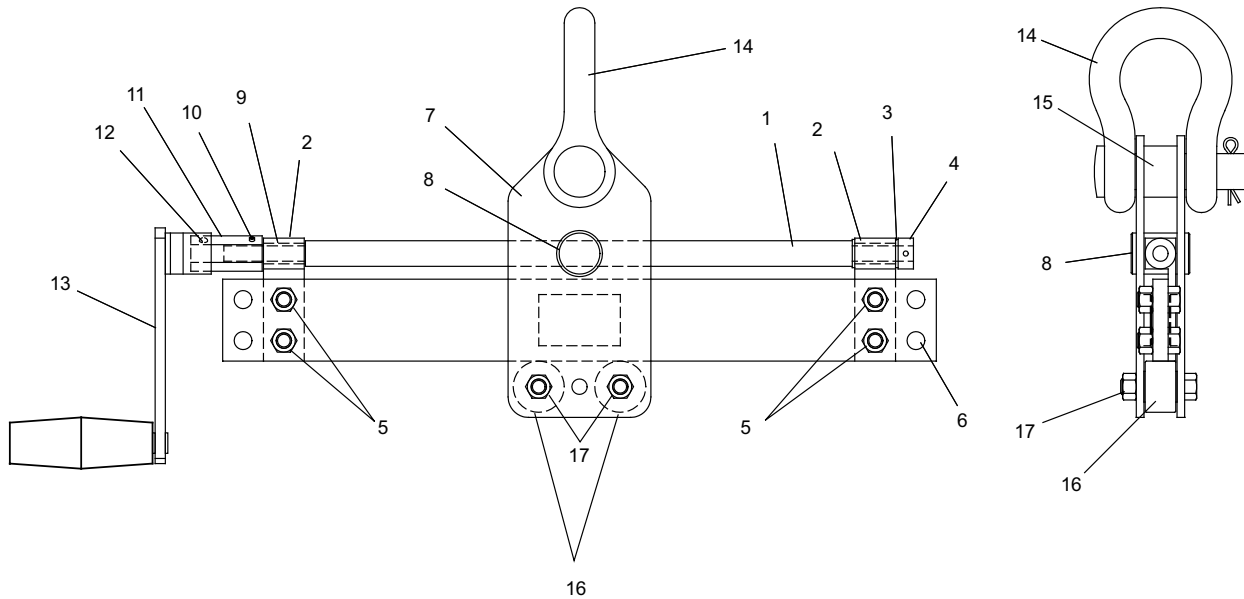
*** NOT SHOWN ON DRAWING

INDUSTRIAL PULLEY PULLER

3575 Third Ave. P.O. Box 626, Marion, IA 52302, 319-447-2245, Fax: 319-377-1204

Leveler Parts - Low-Profile Puller

Part Number PUL-Leveler



Ref. No.	Part Number	Description	Quantity
	PUL-Leveler	Leveler - complete	
1	PUL-LV--02	Feed screw	1
2	PUL-LV-06	Support block	2
3	45-0860	Flanged bushing, 3/8" ID x 1/2" OD x 1/2" LG	2
4	45-4660	Set collar	1
5		Hexbolt, 3/8" - 16 x 1"	4
		Lockwasher, 3/8"	4
		Hex nut	4
6	PUL-LV-16	Spacer	8
7	PUL-LV-12	Side plate	2
8	PUL-LV-10	T- bar nut	1
9	45-0865	Bushing, 3/8" ID x 1/2" OD x 1" LG	1
10	PUL-20TH-07	Pin, 1/8" Dia. x 7/8" LG	1
11	PUL-LV-04	Hex adapter	1
12	PUL-DB-10	Detent ball, 3/8 - 16 UNC	1
13	PUL-LV-HNDL	Handle assembly	1
14	PUL-LV-08	Shackle, 4-3/4 ton	1
15		Spacer	1
16	PUL-LV-18	Track Roller	1
17		Socket head cap screw	2
		Ny-lock hex nut	2